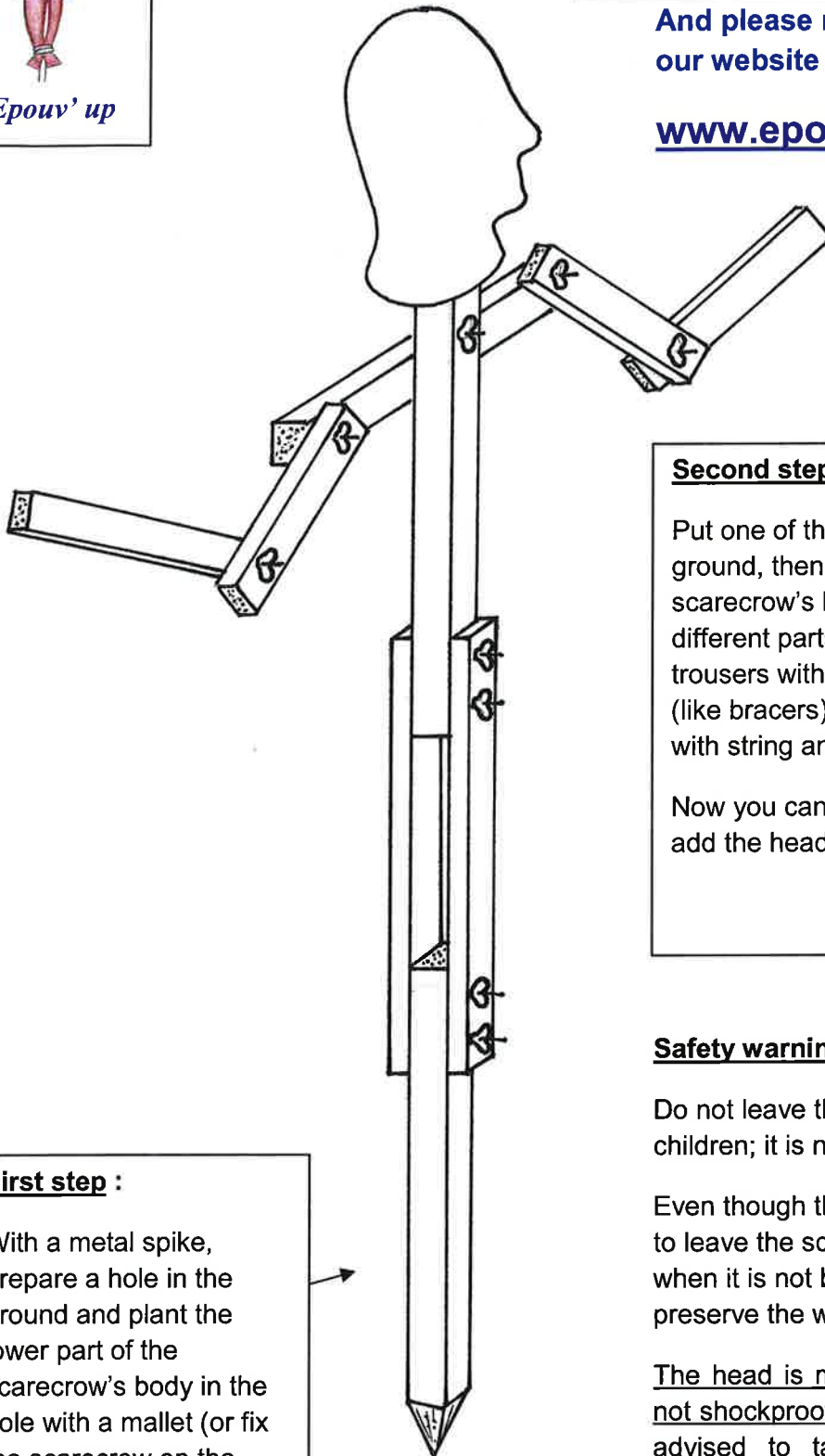




Scarecrow mounting guide

And please refer to the « help » section on our website

www.epouvup.com



First step :

With a metal spike, prepare a hole in the ground and plant the lower part of the scarecrow's body in the hole with a mallet (or fix the scarecrow on the spike)

Second step

Put one of the trouser legs on the part fixed in the ground, then screw on the higher part of the scarecrow's body, taking care to adjust the different parts using the colour codes. Hang the trousers with a string attached to the shoulders (like braces). Close the bottom of the trousers with string and stuff with straw.

Now you can lower the arms, put on a shirt and add the head.

Safety warning :

Do not leave the scarecrow within reach of young children; it is not a toy.

Even though the wood has been treated, it is advised to leave the scarecrow under shelter in seasons when it is not being used (mainly during the winter) to preserve the wood in good condition.

The head is made of rigid polyurethane foam but is not shockproof. It has been carefully painted, and it is advised to take it off and protect it when the scarecrow is put away for the winter.

Some further advice:

From time to time it is advised to change the scarecrow's position in the garden, because birds get used to its presence. It is a good idea to put different light objects on the end of the arms, which will move with the wind, and change them regularly.